



# LED HIGHBAY ECOWHITE V2.0

## DESCRIPTION

The LED Highbay Ecowhite V2.0 is an industrial pendant luminaire which can be used as a basic light in warehouses, halls and production areas with a height of 4 to 14 meters. The Highbay Ecowhite has an efficiency up to 160 lumens per watt, with a minimum of 50% energy savings when replacing 100W and 200W HPL / HID / HPI / HQL luminaires. The LED Highbay Ecowhite is available in two models of beam angle 90° or 120 degrees and two different wattages: 100W or 200W. Thanks to the IP65 and IK08 classifications, the luminaire is splash- and dust-resistant, which makes maintenance unrequired even in the most demanding environments. A 0-10V dimming function can be used to control the luminous intensity, which helps yield energy savings of up to 90%. Integrating the Highbay Ecowhite in the building management system is also possible. With low maintenance and replacement costs, you are guaranteed to great energy savings and a short payback period.



## APPLICATIONS



Industry



Warehouse



Station



Supermarket



Airport

## OPTIONAL

- Bracket Holder

## SPECIFICATION

Item No.	EAN	Item Description	Power (W)	Lumen (LM)	Input Current (mA)	Efficacy (lm/W)	CCT (K)	CRI	Equivalent (W)	Lifespan L70B50 at 25°C
249170	8719157049887	LED Highbay Ecowhite IP65 V2.0 100W 4000K 90° 0-10V DIM Black	100	16000	1100	160	4000	80	250	100,000hrs
249171	8719157049894	LED Highbay Ecowhite IP65 V2.0 100W 4000K 120° 0-10V DIM Black	100	16000	1100	160	4000	80	250	100,000hrs
249172	8719157049900	LED Highbay Ecowhite IP65 V2.0 200W 4000K 90° 0-10V DIM Black	200	32000	2200	160	4000	80	500	100,000hrs
249173	8719157049917	LED Highbay Ecowhite IP65 V2.0 200W 4000K 120° 0-10V DIM Black	200	32000	2200	160	4000	80	500	100,000hrs

# ACCESSORIES

Item No.	EAN	Item Description
249366	8719157050203	LED Highbay PC diffuser with Cover (For Ø297mm Concord V4, Ecowhite V2)
249367	8719157050210	LED Highbay 60° Circular PC Lens (For Ø297mm Concord V4, Ecowhite V2)
249368	8719157050227	LED Highbay Concord V4, Ecowhite V2 Bracket Holder
249369	8719157050234	Remote Controller for Highbay Concord V4, Ecowhite V2 Microwave Sensor
249370	8719157050241	LED Highbay Concord V4, Ecowhite V2 Microwave Sensor
249644	8719157051453	LED Highbay 120° Circular PC Lens (For Ø297mm DALI Concord, Concord V4, Ecowhite V2)



# SPECIFICATION

Technical Specifications	
Dimmable	YES; 0-10V dimming
Beam Angle	90°/120°
IP	IP65
IK	IK08
Protection Class	Class I
Integrated Driver (Yes/No)	YES
Glow Wire Test	650°
Electrical Supply	
Frequency (Hz)	50/60Hz
Voltage (V)	120-277V~
AC/DC	AC
Displacement factor (DF)	≥0.9
Power factor (PF)	≥0.9

Mechanical Properties	
Housing Material	Aluminium
(Material) Diffuser	PC
Reflector	Aluminium
Application	
Operating Temperature	-30°C to 50°C
Storage Temperature	-30°C to 70°C

Certifications	
Lamp Certifications	CE/RoHS

# PACKAGING INFORMATION

Item No.	EAN	Item Description	Masterbox		
			Units per Masterbox	Dimension (mm) (LxWxH)	Weight (kg)
249170	8719157049887	Noxion LED Highbay Ecowhite IP65 V2.0 100W 4000K 90° 0-10V DIM Black	1	300x300x150	2.33
249171	8719157049894	Noxion LED Highbay Ecowhite IP65 V2.0 100W 4000K 120° 0-10V DIM Black	1	300x300x150	2.33
249172	8719157049900	Noxion LED Highbay Ecowhite IP65 V2.0 200W 4000K 90° 0-10V DIM Black	1	335x335x150	3.04
249173	8719157049917	Noxion LED Highbay Ecowhite IP65 V2.0 200W 4000K 120° 0-10V DIM Black	1	335x335x150	3.04

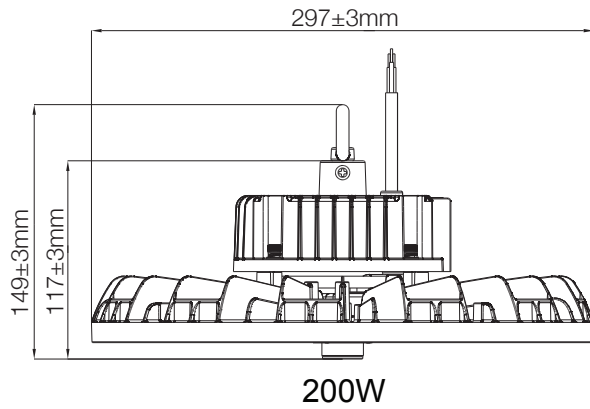
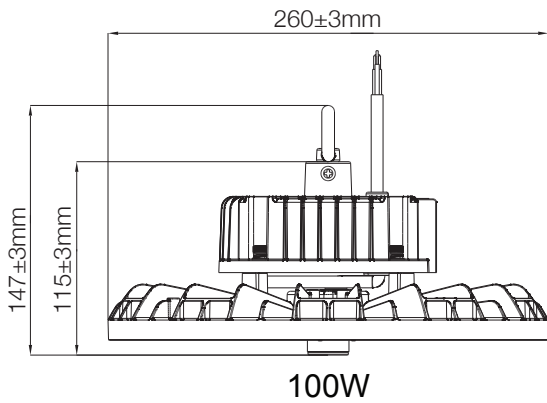
# SPECIFICATIONS DRIVER

Item	100W	200W	Remarks
Inrush current $I_{inrush}$ (A)	60A	70A	Input voltage 230V
Inrush current $T_{inrush}$ (µs)	150µs	320µs	Input Voltage 230V measured at 50% $I_{peak}$

# CIRCUIT BREAKER

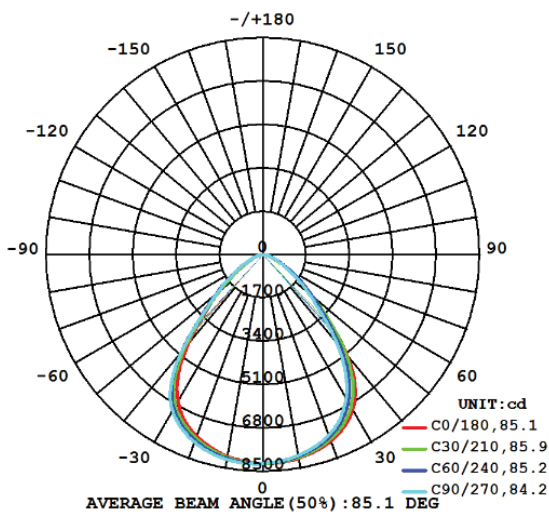
ITEM	100W	200W
B16	14PCS	4PCS
C16	24PCS	8PCS

# DIMENSIONAL DRAWING

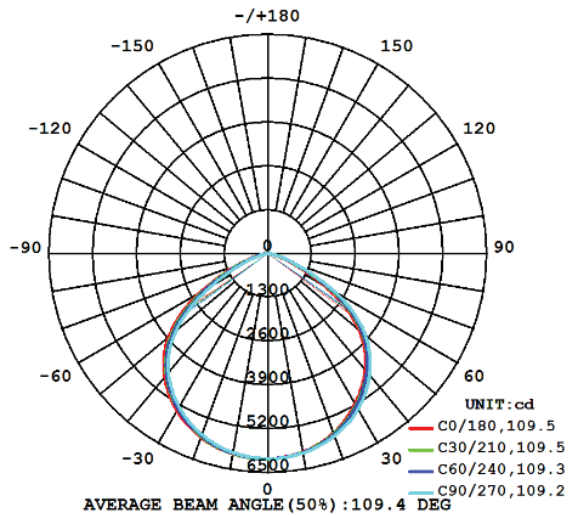


# PHOTOMETRIC SPECIFICATIONS

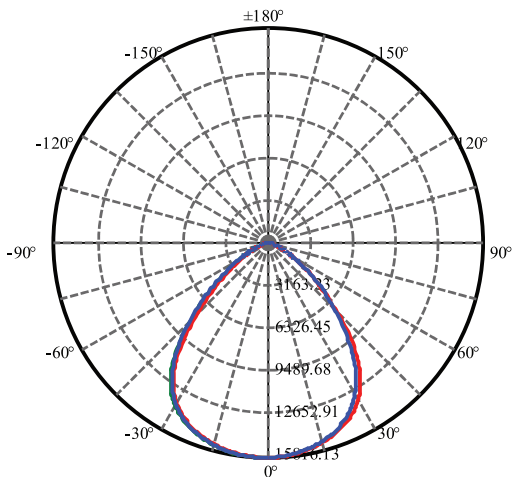
8719157049887



8719157049894



8719157049900



8719157049917

